

# VOLTA- MODEL: ADDT31

WAC ARCHITECTURAL

## 3" Round Narrow Recessed Adjustable Downlight

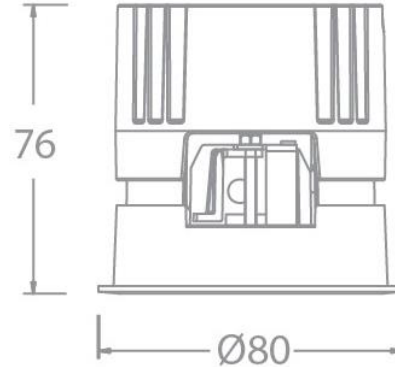
Project Name:

Type:

Product Image



Line Drawing



### Product Description

VOLTA II series LED round narrow recessed adjustable downlight, streamlined appearance, with precise lens and black mirror reflector design. It guarantees light output while still achieving the ultimate anti-glare effect, and the light source cavity is sealed to minimize the impact of humid environment on its performance. Free to remove and replace the reflector or optical accessories, greatly improving the convenience of the site. Mainly suitable for hotel and commercial indoor places.

### Product Features

- **Body Material:** Aluminum die-casting lamp body
- **Optical System:** Lens+Reflector
- **Finish:** Electrostatic powder coating
- **Objection Angle:** Vertical 0-25°
- **Accessory / Bracket:** See attachment
- **Certification:** CCC
- **IP Rating:** IP20
- **Insulation Class:** Class II
- **Operating Temperature:** -20°C~40°C

### Product Specifications

- **Cutoff:** Ø75mm
- **Ceiling Thickness:** 1mm~15mm
- **Shading Angle:** 30°
- **LED Type:** COB
- **Source Lm:** 2700K: 7W 1065lm; 10W 1425lm; 13W 1855lm  
3000K: 7W 1120lm; 10W 1500lm; 13W 1950lm  
3500K: 7W 1155lm; 10W 1545lm; 13W 2010lm  
4000K: 7W 1200lm; 10W 1605lm; 13W 2085lm  
5000K: 7W 1230lm; 10W 1650lm; 13W 2145lm
- **LED Lifetime:** >50000h-L70 /B10-Ta25°C(LM-80/TM-21)
- **CCT/CRI:** 2700K/3000K/3500K/4000K/5000K, CRI≥90
- **Input:** 220V AC / 50Hz
- **Dimming:** Non-dimming / 0-10V/DALI (must be done in advance with the project site system to match the test)
- **Net Weight:** Approx. 0.35Kg, without packaging

### Order Model

Model	Size	Trim	LED	Driver	Beam	CCT	Reflector	Finish
ADDT Downlight Directional T series	3 3"	1 Round Trim	LM07 COB 7W	E On-Off D 0-10V Dimming	1 15° 2 24° 3 36° 5 50°	27 2700K 30 3000K 35 3500K 40 4000K 50 5000K	B Black S Specular	WT White
			LM10 COB 10W					BK Black
			LM13 COB 13W					
			LM13 COB 13W	N No Driver A DALI				

Example: ADDT31-LM18E230SWT

WAC Lighting  
www.waclighting.com (US)  
www.waclighting.net (International)

Headquarters  
44 Harbor Park Drive • Port Washington, NY  
Phone (516) 515.5000 • Fax (516) 515.5050

WAC GROUP  
TECHNOLOGY ILLUMINATED

# VOLTA- MODEL: ADDT31

## 3" Round Narrow Recessed Downlight

Project Name:

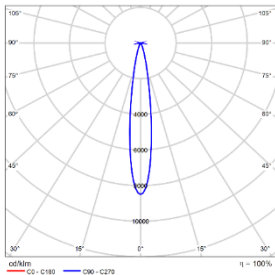
Type:

### Accessory

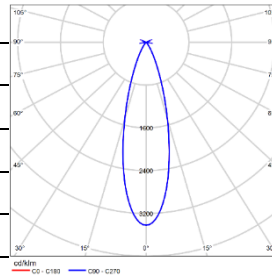
<b>ALENS-DDT31-BEL</b> Striped Glass Lens		<b>ALENS-DDT31-HCL</b> Rimless Honeycomb Grid	
--	---	--	---

Note: Up to one additional optical accessory can be installed, the factory does not come with accessories, need to be ordered separately.

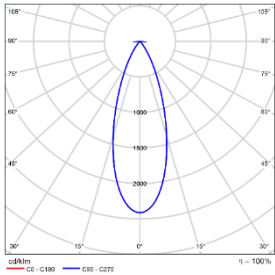
### Light Distribution@3000K Data



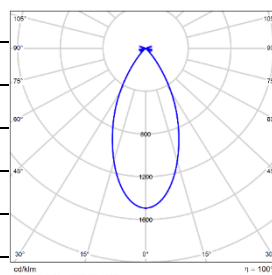
<b>MODEL:</b>	ADDT31-LM10E130SWT
<b>BEAM ANGLE:</b>	15°
<b>POWER:</b>	10W
<b>LUMENS:</b>	980lm
<b>CBCP:</b>	7141cd
<b>EFFICACY:</b>	98lm/W



<b>MODEL:</b>	ADDT31-LM10E230SWT
<b>BEAM ANGLE:</b>	24°
<b>POWER:</b>	10W
<b>LUMENS:</b>	935lm
<b>CBCP:</b>	4034cd
<b>EFFICACY:</b>	94lm/W



<b>MODEL:</b>	ADDT31-LM10E330SWT
<b>BEAM ANGLE:</b>	36°
<b>POWER:</b>	10W
<b>LUMENS:</b>	1025lm
<b>CBCP:</b>	2390cd
<b>EFFICACY:</b>	102lm/W



<b>MODEL:</b>	ADDT31-LM10E530SWT
<b>BEAM ANGLE:</b>	55°
<b>POWER:</b>	10W
<b>LUMENS:</b>	877lm
<b>CBCP:</b>	1256cd
<b>EFFICACY:</b>	88lm/W

4" Round Narrow Recessed Adjustable Downlight

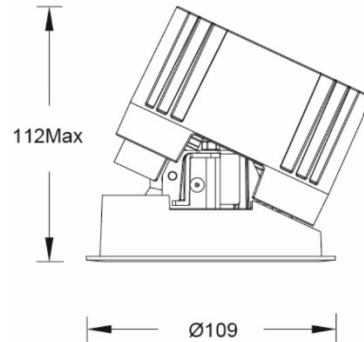
Project Name:

Type:

Product Image



Line Drawing



**Product Description**

VOLTA II series LED round narrow recessed adjustable downlight, streamlined appearance, with precise lens and black mirror reflector design. It guarantees light output while still achieving the ultimate anti-glare effect, and the light source cavity is sealed to minimize the impact of humid environment on its performance. Free to remove and replace the reflector or optical accessories, greatly improving the convenience of the site. Mainly suitable for hotel and commercial indoor places.

**Product Features**

- **Body Material:** Aluminum die-casting lamp body
- **Optical System:** Lens+Reflector
- **Finish:** Electrostatic powder coating
- **Objection Angle:** Vertical 0-25°
- **Accessory / Bracket:** See attachment
- **Certification:** CCC
- **IP Rating:** IP20
- **Insulation Class:** Class II
- **Operating Temperature:** -20°C~40°C

**Product Specifications**

- **Cutoff:** Ø100mm
- **Ceiling Thickness:** 1mm~20mm
- **Shading Angle:** 30°
- **LED Type:** COB
- **Source Lm:** 2700K: 13W 1855lm; 18W 2565lm  
3000K: 13W 1950lm; 18W 2700lm  
3500K: 13W 2010lm; 18W 2780lm  
4000K: 13W 2090lm; 18W 2890lm  
5000K: 13W 2145lm; 18W 2970lm
- **LED Lifetime:** >50000h-L70 /B10-Ta25°C(LM-80/TM-21)
- **CCT/CRI:** 2700K/3000K/3500K/4000K/5000K, CRI≥90
- **Input:** 220V AC / 50Hz
- **Dimming:** No dimming / 0-10V/DALI (must do match test with project site system in advance) .
- **Net Weight:** Approx. 0.6Kg, without packaging

**Order Model**

Model	Size	Trim	LED	Driver	Beam	CCT	Reflector	Finish
ADDT Downlight Directional T series	4 4"	I Round Trim	LM13 COB 13W	E On-Off	N 12°	27 2700K	B Black	W White
			LM18 COB 18W	D 0-10V Dimming	1 18°	30 3000K	S Specular	BK Black
			LM18 COB 18W	N NO Driver A DALI	2 24°	35 3500K		
					3 36°	40 4000K		
					5 55°	50 5000K		

Example: ADDT41-LM25E230SWT

**4" Round Narrow Recessed Adjustable Downlight**

**Project Name:**

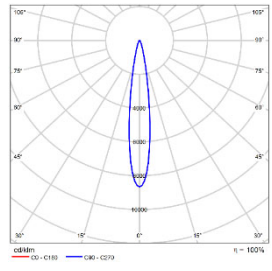
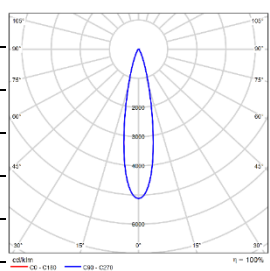
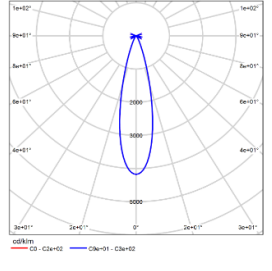
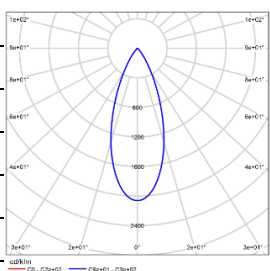
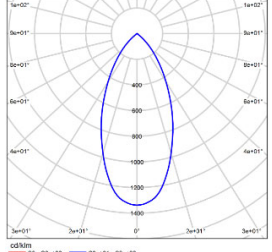
**Type:**

Accessory

<b>ALENS-DDT41-BEL</b> Striped Glass Lens		<b>ALENS-DDT41-HCL</b> Rimless Honeycomb Grid	
--	---	--	---

Note: Up to one additional optical accessory can be installed, the factory does not come with accessories, need to be ordered separately.

**Light Distribution@3000K Data**

	<p><b>MODEL:</b> <u>ADDT41-LM18EN30SWT</u></p> <p><b>BEAM ANGLE:</b> <u>12°</u></p> <p><b>POWER:</b> <u>18W</u></p> <p><b>LUMENS:</b> <u>1679lm</u></p> <p><b>CBCP:</b> <u>19295cd</u></p> <p><b>EFFICACY:</b> <u>93lm/W</u></p>		<p><b>MODEL:</b> <u>ADDT41-LM18E130SWT</u></p> <p><b>BEAM ANGLE:</b> <u>18°</u></p> <p><b>POWER:</b> <u>18W</u></p> <p><b>LUMENS:</b> <u>2389lm</u></p> <p><b>CBCP:</b> <u>14373cd</u></p> <p><b>EFFICACY:</b> <u>133lm/W</u></p>
	<p><b>MODEL:</b> <u>ADDT41-LM18E230SWT</u></p> <p><b>BEAM ANGLE:</b> <u>24°</u></p> <p><b>POWER:</b> <u>18W</u></p> <p><b>LUMENS:</b> <u>2302lm</u></p> <p><b>CBCP:</b> <u>9023cd</u></p> <p><b>EFFICACY:</b> <u>128lm/W</u></p>		<p><b>MODEL:</b> <u>ADDT41-LM18E330SWT</u></p> <p><b>BEAM ANGLE:</b> <u>36°</u></p> <p><b>POWER:</b> <u>18W</u></p> <p><b>LUMENS:</b> <u>2176lm</u></p> <p><b>CBCP:</b> <u>5323cd</u></p> <p><b>EFFICACY:</b> <u>121lm/W</u></p>
	<p><b>MODEL:</b> <u>ADDT41-LM18E530SWT</u></p> <p><b>BEAM ANGLE:</b> <u>55°</u></p> <p><b>POWER:</b> <u>18W</u></p> <p><b>LUMENS:</b> <u>2025lm</u></p> <p><b>CBCP:</b> <u>2781cd</u></p> <p><b>EFFICACY:</b> <u>112lm/W</u></p>		